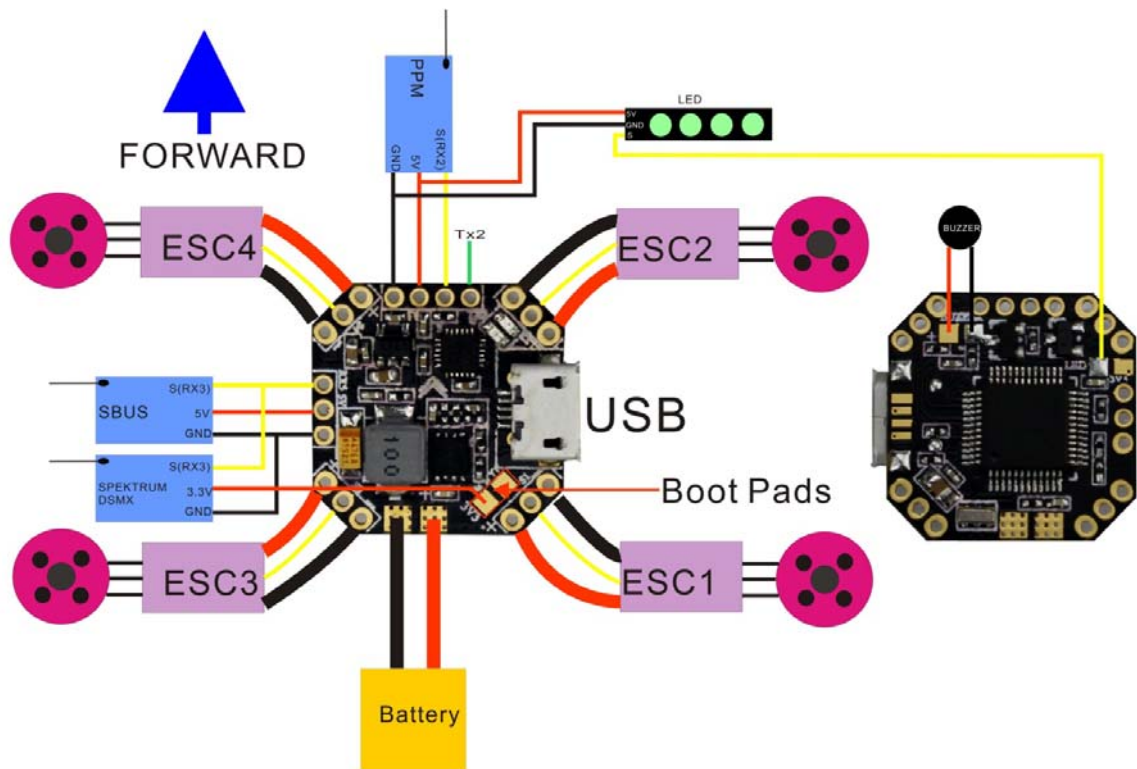


F3 Femto 说明书 - V1.2

(SPRACING F3EVO 固件)



特点

- STM32F303 CPU
- MPU9250 三轴加速度计/三轴陀螺仪/三轴电子罗盘 (SPI连接)
- 2-6S 电池输入
- 内置5V/3A BEC
- 支持Sbus或串口RX接口, Spektrum 1024/2048, SBUS, XBUS, SumD 和 SumH RX 内置反向器
- 支持3.3v Spektrum卫星接收机
- 支持遥测 (frsky遥测, smartport, and HoTT遥测)
- 支持PPM接收机
- 蜂鸣器接口
- 支持可编程LEDS (使用前关掉Transponder)
- 支持 BLheli suite电调编程
- 2.0mm接头
- 80A电调分线板 (每个电调最大支持20A)
- 内置电压检测、报警
- 可同时使用多个功能; 例如: 同时连接USB + 智能接口+ SBus + LED Strip + 电压检测+4电机
- 20x20mm板
- 重量2.2g

※串口3 (RX3)

可用于Spektrum卫星接收, Spektrum 1024/2048, SBUS, XBUS, SumD and SumH RX等。

※串口2

串口2 RX用于连接PPM接收机, TX2则用于遥测输出。

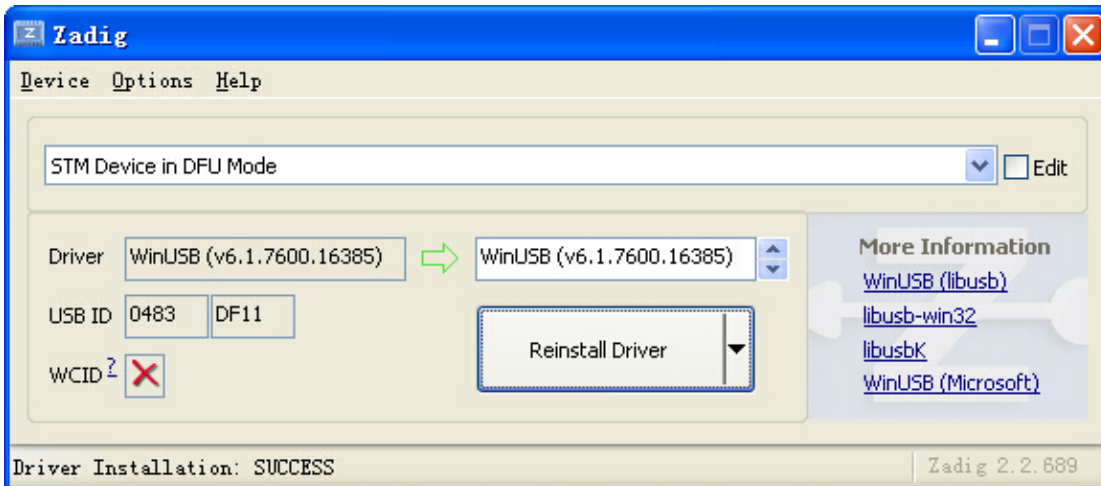
固件下载 (DFU, USB) -windows

所需软件:

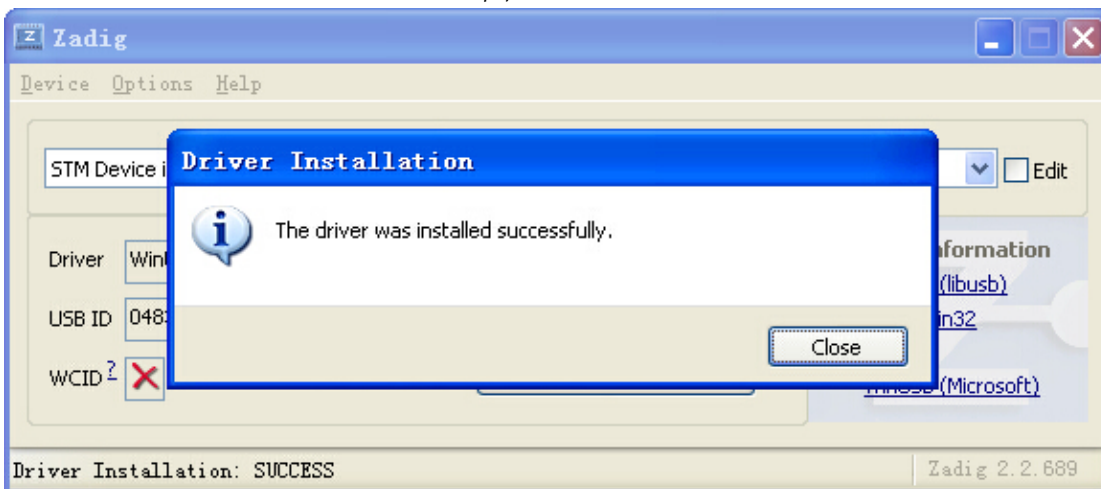
- 1、SPRACINGF3EVO.hex 文件
- 2、Zadig USB 驱动安装 -> <http://zadig.akeo.ie/>
- 3、cleanflight 地面站

下载步骤 :

- 1、(可用镊子) 短接Boot焊盘 , 连接电脑USB , 识别为DFU模式或STM BOOTLOADER
- 2、下载Zadig USB驱动 , 打开如图一 选择STM Device in DFU Mode或STM BOOTLOADER device (如果列表没有 , 请确定步骤一 , 是否短接Boot焊盘上电 , 然后选择"Options / View All Devices" 在Zadig菜单)。点击Reinstall Driver安装驱动。



图一



SPRACINGF3EVO

v1.13.0 - SPRACINGF3EVO - 2016-6-6 22:20 (t)

No reboot sequence

Full chip erase

Manual baud rate: 256000

Show unstable releases

Release info

Target: SPRACINGF3EVO
Name/Version: 1.13.0
Binary: cleanflight_SPRACINGF3EVO.hex
Date: 2016-6-6 22:20
State: stable

Release notes:

Thanks to anyone who's ever helped out a fellow cleanflight user - without you all the developers would be stuck answering questions instead of coding - keep up the good work!

There have been MASSIVE amounts of code cleanups in this release, we really put the clean in cleanflight with this release.

There are now over 1000 forks of cleanflight on Github, amazing! - if you're a developer and have forked cleanflight you will really want to incorporate the changes into your codebase ASAP!

NOTE: Upgrading from < v1.13.0 will erase your configuration, backup via GUI and CLI before flashing.
NOTE: Some defaults have changed. Do NOT blindly restore your backups using the CLI.
IMPORTANT: Due to some new default settings you should return your PIDs.

Changes from v1.12.1

- * Enhanced flight performance.
- * Support BiHeli 4w interface for ESCs with BiHeli and 5k Bootloader.
- * BiHeli ESC configuration and flashing support via USB.
- * Mission telemetry:
- * Complete overhaul of configuration storage mechanism. Upgrading without losing settings possible in future.
- * Support 4 channel Parallel PWM 3.3v receivers on SPRACINGF3MINI.
- * Support UART4-5 on STM32F103V
- * Configurable colors for LED strip modes.
- * New LED strip features for Beacon and GPS status.
- * New OLED display features (PIDs, tasks).
- * Updated task scheduler.
- * Many, many performance optimizations.
- * Substantial code cleanups and reorganization (MSP, Configurator, PID, Mixer etc).
- * Many additional unit test to further enhance robustness.

Flash Firmware Load Firmware [Online] Load Firmware [Local]

SPRACINGF3EVO

3.0.1 - SPRACINGF3EVO - 18-10-2016 17:09 (t)

No reboot sequence

Full chip erase

Manual baud rate: 256000

Show unstable releases

Release info

Target: SPRACINGF3EVO
Name/Version: 3.0.1
Binary: betaflight_3.0.1_SPRACINGF3EVO.hex
Date: 18-10-2016 17:09
State: stable

Release notes:

Betaflight 3.0.1 (3.0 patch 1)

- Finalized OSD Code. (More OSD configuration options)
- Changed Relaxation Parameter to act as transition (Helps better against bounce backs on higher rates with high setpoint weight)
- Fixed non working Baro for some boards
- Added second notch for gyro (set gyro_notch1_hz and set gyro_notch2_hz, also available in the new 1.8.3 configurator)
- Added configurable pitdsum limit
- New filter defaults (notch filters enabled by default)
- Added BEEBRAIN target

BetaflightGroup is a list of developers who are actively working to improve this open source project:

Borib
Martin Bussan
Jason Blackman (blckmn)
Michael Keller (mikeller)
Nathan (nathanst01)
Anton Sälheim (KluAnton)
Albert Kravcov (skaman82)
Anders Höglund
Gary Keeble (Madman1)
dignalexy

And many many others to all who contributed the code and still occasionally contributing!
<https://github.com/betaflight/betaflight/graphs/contributors>

Flash Firmware Load Firmware [Online] Load Firmware [Local]

虚拟串口驱动安装

F3 Femto 飞控使用STM32虚拟串口(VCP)。

驱动下载地址 --> <http://www.st.com/en/development-tools/stsw-stm32102.html>

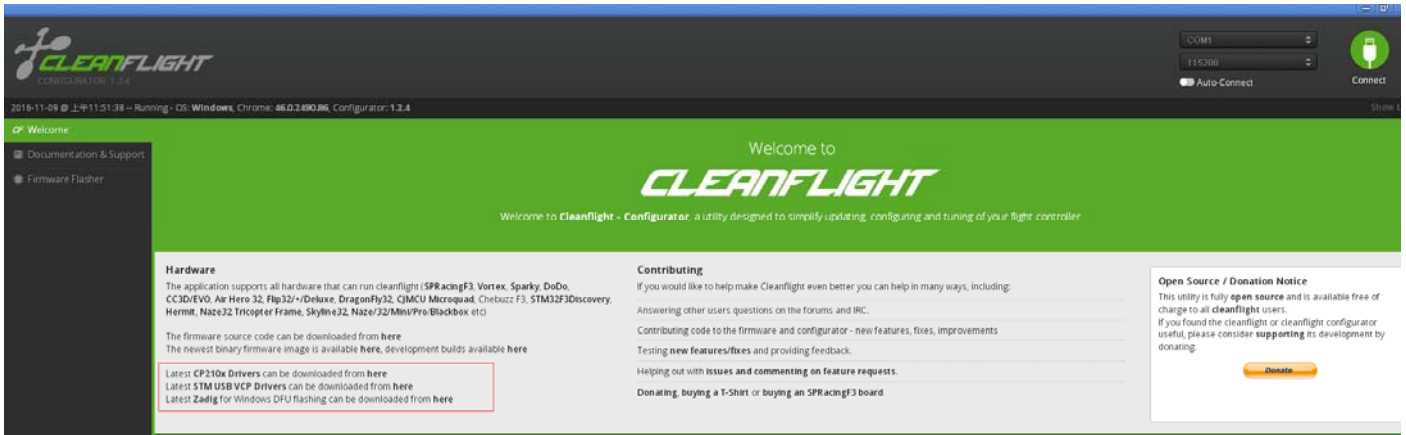
注意：下载后根据电脑（32位或64位）安装对应文件，根据提示安装完成（此时安装还没完成）

打开 C:\Program Files (x86)\STMicroelectronics\Software\Virtual comport driver\Win8\ <- 这里选择根据电脑系统选择Win7或Win8，里面有两个文件，64位的系统点击dpinst_amd64安装，32位系统点击dpinst_x86安装，直至安装完成。

提示：

所有的驱动都可以在地面站上下载

Cleanflight地面站



Betaflight地面站

